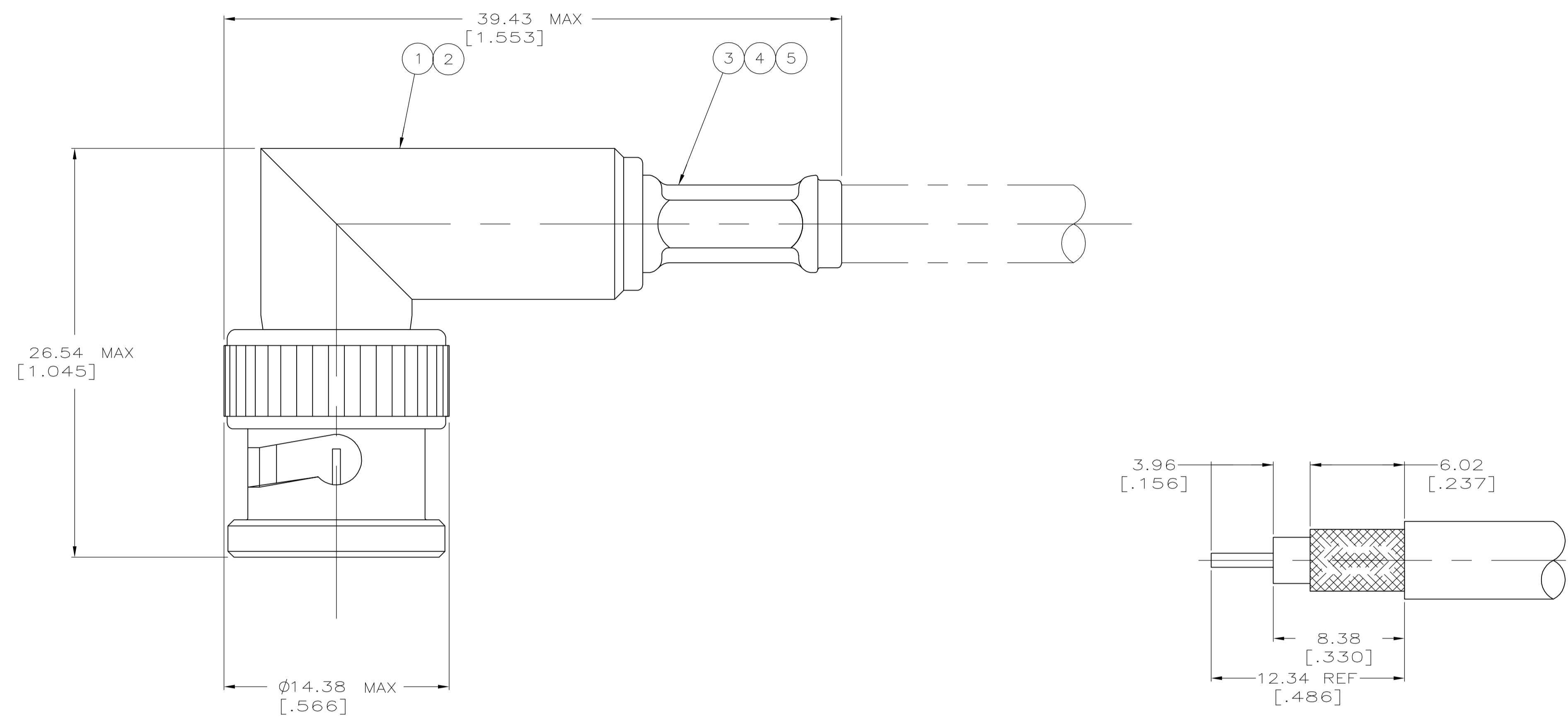


△ USE WITH PRO-CRIMPER 354940-1.
 2. SEE INSTRUCTION SHEET 408-9765.



RECOMMENDED STRIP LENGTH

AT&T 735A	1.07 [.042]	4.52 [.178]	58425-2	-	-	9-413658-2	1-413746-0	413947-2	1-5413588-0
RG-59 TYPE WITH .031 DIA CENTER CONDUCTOR, BELDEN 9240,9259 & 9266	1.07 [.042]	6.48 [.255]	58425-1	-	-	9-221132-1	2-413746-0	413947-1	5413588-9
RG-179/U,179A/U,179B/U,187/U & 187A/U	1.07 [.042]	4.52 [.178]	58425-2	227194-2	1-222001-0	9-413658-0	1-413746-5	413947-2	5413588-8
AT&T KS 19224 L2	1.07 [.042]	4.52 [.178]	58425-2	227194-2	1-222001-0	9-413658-2	1-413746-5	413947-2	5413588-4
RG-59/U,59A/U & 59B/U	1.07 [.042]	6.48 [.255]	58425-1	-	-	9-221132-1	413746-5	413947-1	5413588-2
FOR USE WITH CABLE	CONTACT CRIMP (SQUARE)	FERRULE CRIMP (HEX)	DIE SET △ 1	5 TUBING, PLASTIC QTY=1	4 TUBING, METAL QTY=1	3 FERRULE QTY=1	2 CONTACT QTY=1	1 PLUG ASSY QTY=1	PART NUMBER

THIS DRAWING IS A CONTROLLED DOCUMENT.

DIMENSIONS: mm (INCHES)	TOLERANCES UNLESS OTHERWISE SPECIFIED:	DIN J. HAVENER 12AUG2005	Tyco Electronics Corporation Harrisburg, PA 17105-3608
0 PLC ± -	1 PLC ± -	12AUG2005	
2 PLC ± -	3 PLC ± 0.41 [.016]	APVD J. LIPPERT 12AUG2005	RESTRICTED TO
4 PLC ± -	ANGLES ± -	NAME	PLUG, RIGHT ANGLE, HEX CRIMP, 75 OHM, BNC
MATERIAL	FINISH	SIZE	SCALE 5:1
		WEIGHT	SHEET 1 OF 1
		CUSTOMER DRAWING	REV 01

00779 C=5413588